



Description: Round-shaped LED downlight providing direct adjustable light, complete with frame for recessed installation.

Body: body and ring in die-cast aluminum, painted in white RAL 9003 (gray and black colors available on request), UV stabilized, with thermosetting epoxy powders at 180 ° C, after degreasing, phosphating and washing treatment. Integrated passive heatsink. The device is supplied complete with brackets for fixing to the false ceiling.

Optical group: internal reflector in metallized aluminum with light emission with 60 ° beam (15 ° / 30 ° / 45 ° beams available on request).

Adjustable tilting (50 °) and rotatable (350 °) projector, with lamp holder springs.

Diffuser accessory in transparent glass or opal glass to protect the LED source (IP40).

Protection degree IP20.

Wiring: power supply 220-240V 50 / 60Hz with rigid cable, sect. 0.50 mm² and PVC-HT sheath resistant to 90 ° C according to CEI 20-20 standards.

Insulation class II.

Suitable for installation on normally flammable surfaces.

- LED version with fixed output electronic driver for independent use, included

- LED DALI dimmable version, with DALI standard digital dimmable electronic driver for independent use, included.

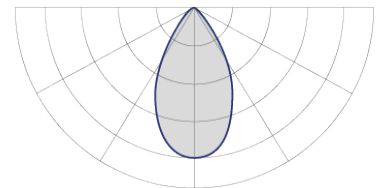
On request available:

-Versions with emergency kit 1/3 hours autonomy.

Luminous source: High efficiency LEDs arranged on rigid modules, color rendering IRC > 80 or IRC > 90, color temperature 3000K or 4000K, selected LED diode 3 MacAdam ellipses in order to guarantee uniform chromaticity, duration > 50000 hours L80 / F10 at Ta = 25 ° C.



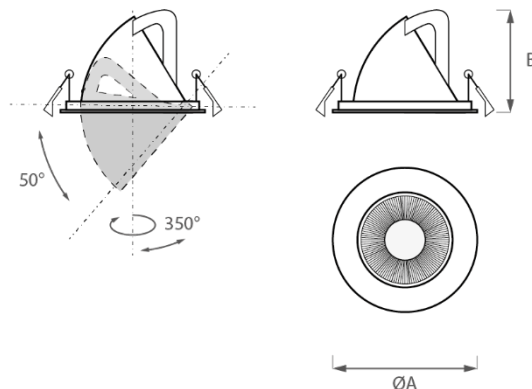
Demonstration image



Photometric curve

Regulations: appliance complies with the following standards:

- | | | |
|-----------------|-------------------|---------------------------|
| • EN 61547 | • IEC/TR 62471-2 | • EN 60598-2-2 |
| • EN 55015 | • EN 60061-1 | • EN 62471 (risk class 0) |
| • EN 61000-3-2 | • EN 62031 | • EN 62560 |
| • EN 61000-3-3 | • EN 62493 | • EN 60968 |
| • EN 61347-1 | • EN 60598-1 | • CEI 76-10 |
| • EN 61347-2-13 | • EN 60598-2-1 | • EN 60529 |





Power [W]	Color temperature [K]	CRI	Effective flux [lm] *	Efficiency [lm/W]	Energetic class	Dimensions [mm]			Code / Wiring	
						Ø A	B	Ø recessed	LED	LED DALI
10	3000K	>80	1250	125	A++	165	125	155	575500003	575500007
10	4000K	>80	1300	130	A++	165	125	155	575500011	575500015
19	3000K	>80	2400	126	A++	165	125	155	575500004	575500008
19	4000K	>80	2500	131	A++	165	125	155	575500012	575500016
26	3000K	>80	3250	125	A++	165	125	155	575500005	575500009
26	4000K	>80	3370	129	A++	165	125	155	575500013	575500017
33	3000K	>80	4250	128	A++	165	125	155	575500006	575500010
33	4000K	>80	4450	134	A++	165	125	155	575500014	575500018
10	3000K	>90	1050	105	A++	165	125	155	575500019	575500023
10	4000K	>90	1100	110	A++	165	125	155	575500027	575500031
19	3000K	>90	2000	105	A++	165	125	155	575500020	575500024
19	4000K	>90	2150	113	A++	165	125	155	575500028	575500032
30	3000K	>90	3000	100	A++	165	125	155	575500021	575500025
30	4000K	>90	3230	107	A++	165	125	155	575500029	575500033
39	3000K	>90	4100	105	A++	165	125	155	575500022	575500026
39	4000K	>90	4400	112	A++	165	125	155	575500030	575500034

* Actual flow may have a tolerance of ± 10%.